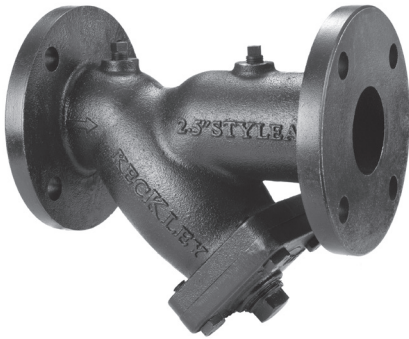


# Style A-7

Y-Strainer

Cast Iron (ASTM A 126, Class B)

125 lb.



# Cast Iron Y-Strainer

## APPLICATIONS

Steam, water, oil or gas where protection from foreign matter in a pipeline is required.

## CONSTRUCTION

The Keckley Style A-7 strainers are constructed from rugged cast iron castings that are machined to exacting specifications. These bodies have drilled flanges that are in accordance with ASME B16.1.

## FEATURES

The Keckley Style A-7 strainer features a machined groove in both the body and cover for proper screen alignment and to ensure accurate reseating when servicing is required. Style A-7 strainers are furnished with a synthetic fiber that is compressed between the body and cover for maximum strength and durability. Keckley Style A-7 strainers can be furnished with a blow-off plug upon request.

## SCREENS

Standard perforated 304 stainless steel screens are spot welded along the seam for maximum strength. Different size perforations and meshes are available in stainless steel, monel, and brass to meet specific media requirements. If the media is not indicated, screens for *water* will be supplied.

## SELF CLEANING

Self cleaning is accomplished by opening the valve or drain plug connected to the blow-off port. **Warning:** See Maintenance Instructions on page S6 of the Strainer Information Section for additional precautions and detailed information on servicing the strainer.

## WORKING PRESSURES - NON SHOCK

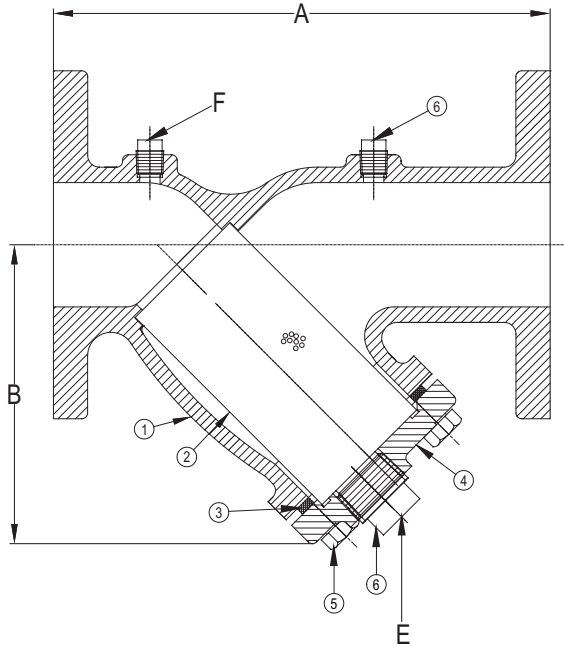
NOM. RATING	MEDIA	2" to 12"	50 mm to 300 mm
125# F.F. & D. (STANDARD FLANGE)	STEAM	125 PSI @ 450°F	862 KPa @ 232°C
	W.O.G.	200 PSI @ 150°F	1379 KPa @ 66°C
	MEDIA	14" and UP	350 mm and UP
	STEAM	100 PSI @ 353°F	690 KPa @ 178°C
	W.O.G.	150 PSI @ 150°F	1035 KPa @ 66°C

## GOVERNMENT/MILITARY SPECIFICATIONS

Style A-7 cast iron flanged strainers meet or exceed government specification WW-S-2739 (Supersedes MIL-S-16293).

# Style A-7

Y-Strainer, 125 lb. Flanged  
Cast Iron (ASTM A 126, Class B)



**PARTS LIST**

ITEM	DESCRIPTION	MATERIAL
1	Body	Cast Iron (ASTM A 126, Class B)
2	Screen	Stainless Steel (304)
3	Gasket	Composition
4	Cover	Cast Iron (ASTM A 126, Class B)
5	Hex Head Cap Screw	Steel
6	Plug	Carbon Steel (ASTM A 105)

**STANDARD SCREENS SUPPLIED**

SIZE		SCREEN GAGE	SCREEN PERFORMATION					
in	mm		FOR STEAM	OPEN AREA	FOR LIQUID	OPEN AREA		
2 to 4	50 to 100	28	3/64	1.2	33%	1/16	1.6	30%
5 to 10	125 to 250	24	3/64	1.2	33%	1/8	3.2	43%
12	300	24	1/16	1.6	30%	1/8	3.2	43%
14 & up	350 & UP	20	1/8	3.2	43%	1/8	3.2	43%

Standard screens supplied are for **liquid service**, unless otherwise specified.  
Options: Other perforations, meshes, and screen materials are available.

SIZE		DIMENSIONS								WEIGHTS	
		A		B		E		F			
in	mm	in	mm	in	mm	in	mm	in	mm	lbs	kgs
2	50	7-7/8	200	5-1/16	129	1/2	15	1/4	8	17	8
2-1/2	65	10	254	6-1/8	156	1	25	1/4	8	24	11
3	80	10-1/8	257	6-9/16	167	1	25	1/4	8	31	14
4	100	12-1/8	308	8-1/16	205	1-1/2	40	1/4	8	50	23
5	125	15-5/8	397	11	278	2	50	1/4	8	86	39
6	150	18-1/2	470	12-5/8	322	2	50	1/4	8	114	52
8	200	21-5/8	549	15-5/8	396	2	50	1/4	8	203	92
10	250	25-3/4	654	17-3/4	451	2	50	1/4	8	293	133
12	300	29-7/8	759	21-5/16	542	2	50	1/4	8	489	222
14	350	33-1/4	846	26-3/4	680	2	50	N/A		772	350
16	400	38-3/4	984	30-1/8	765	2	50	N/A		994	451
18	450	43-1/2	1105	33-1/4	845	2	50	N/A		1379	626
20	500	49-1/2	1257	39-1/4	997	2	50	N/A		1652	750
24	600	55-13/16	1418	41	1041	2	50	N/A		3400	1542

Certified dimensional drawings are available upon request.

†This table reflects only the nearest metric equivalents.

**FLOW COEFFICIENTS**

Size	C <sub>v</sub>	Size	C <sub>v</sub>	Size	C <sub>v</sub>	Size	C <sub>v</sub>
2"	62	5"	364	12"	2261	20"	8064
2 1/2"	98	6"	585	14"	3479		
3"	155	8"	942	16"	5060		
4"	269	10"	1572	18"	6008		

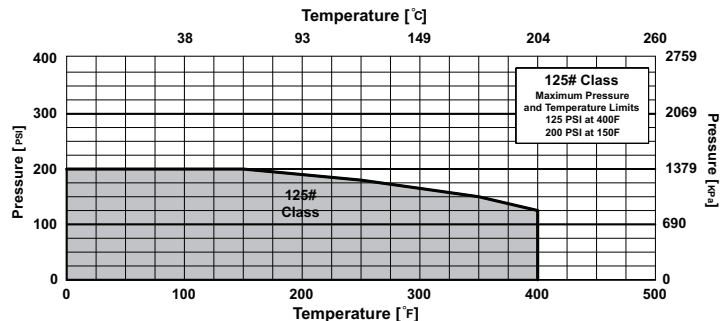
**TOTAL SCREEN AREA**

Size	(in <sup>2</sup> )	Size	(in <sup>2</sup> )	Size	(in <sup>2</sup> )	Size	(in <sup>2</sup> )
2"	28.84	5"	143.94	12"	596.07	20"	2768
2 1/2"	45.47	6"	237.76	14"	1041		
3"	54.68	8"	345.30	16"	1341		
4"	91.12	10"	537.30	18"	1697		

\*See DETERMINING RATIOS on page S5 of the Strainer Information Section for calculating NET FREE AREA of the screen to inside pipe area.

**PRESSURE vs. TEMPERATURE CHART**

125# Flanged Cast Iron (ASTM A 126, Class B)  
Suitable for use with pipe sizes up to 12"



\*In Accordance with ASME B16.1